



INSTALLATION INSTRUCTIONS FOR Hero, Hero2, Hero3/3+, Hero4, Hero +, Hero4 Session, Hero 5, Hero 5 Session



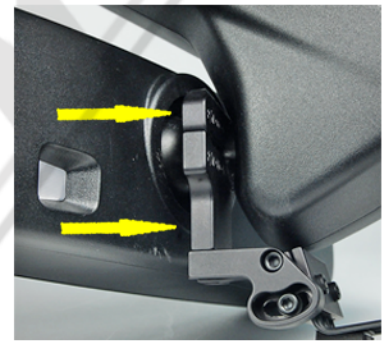
1 - Install your GoPro camera onto the mount before installing on the rear view mirror.



2 - Push the GoPro frame quick release lever and slide the camera into the frame. Then lock the frame back in place so the GoPro camera is secure. Make sure if using the Hero 4 Session that the camera is rotated so the power button is on bottom, and the memory card/usb slot is to the right.



3 - When the mount is positioned as far forward as it will go, tighten the clamp screw until the Top and Mid Sections are **slightly snug** around the mirror stem. You should still be able to rotate the mount.

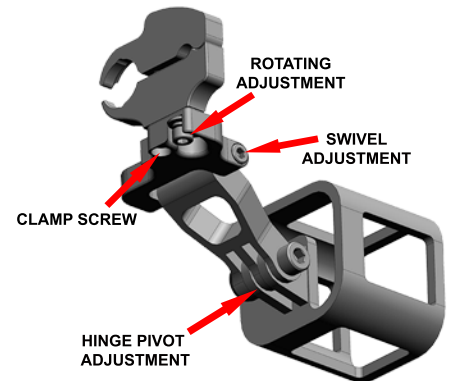


4 - Rotate the mount so it is parallel with the bottom of the mirror. Tighten the clamp screw until the mount is securely attached to the mirror stem.



5 - Install the GoPro onto the mount. Make the necessary adjustments as shown in fig. 6. After all adjustments are made, be sure to check that the hinge pivot adjustment screws are tight. Grab the long arm of the allen wrench to assure that these screws are securely tightened.

BLENDMOUNT ADJUSTMENTS



6 - With multiple adjustments available, you should be able to position your GoPro right where you want it. If you are unable to achieve this, be sure to contact us at 1-888-497-8388

CAUTION

DO NOT use this mount if it interferes with the adjustability or the operation of your rear view mirror in any way.

DO NOT use this mount if the GoPro camera creates an unsafe viewing obstruction.

DO NOT ATTEMPT TO MODIFY THIS PRODUCT. Consult the manufacturer for assistance.

All BlendMount products are accompanied with detailed installation instructions and adjustment tips. You are encouraged to contact customerservice@blendmount.com or call J28 Design at 1-888-497-8388 for further assistance.

Check the BlendMount Forum for installation tips and some vehicle specific installs.

www.blendmount.com

Your feedback is very important to us. Please email any questions or comments you have to help@blendmount.com

